



STRONTIUM SSD INSATALLATION GUIDE



Content

- Notebook Installation
- Desktop Installation



Getting Started

Before you start, refer to your computer's documentation to determine whether your system supports Serial ATA (SATA) on the motherboard and the location of the SATA connectors. If your PC does not have SATA connectors, you will need to purchase a SATA host adapter that is compatible with your computer and operating system. Then, using the host adapter manufacturer's installation instructions, you will need to install the adapter with the corresponding driver. You will also need the following items:

- Four 6-32 UNC mounting screws and a screwdriver. (2.5" Form factor only)
- A SATA interface cable with a maximum length of 1 meter. (Desktop usage model only)
- A SATA-compatible (2.5" Form factor) or micro-SATA (1.8" Form factor) power cable or adapter. (Desktop usage model only)



Installation Instructions

Disk drives are fragile and very sensitive to static electricity. To protect you and your system, take the following precautions:

- Turn off the power of the host system prior to attempting installation, but leave the power plug connected.
- Keep the drive in the protective anti-static container until you are ready to install the SSD.
- Wear a wrist strap and connect the ground strap to the computer case to minimize static electricity.
- Handle the drive with care. Do not touch the connectors.
- Do not remove the encasement or disassemble the drive, as such actions void the warranty.



Thing Require

- Your Notebook PC or Desktop PC
- Your new STRONTIUM SSD
- M3.0 Cross-Tip Screwdriver
- SSD Installation Guide (Print Preferred)
- Your computer's user guide (Optional)

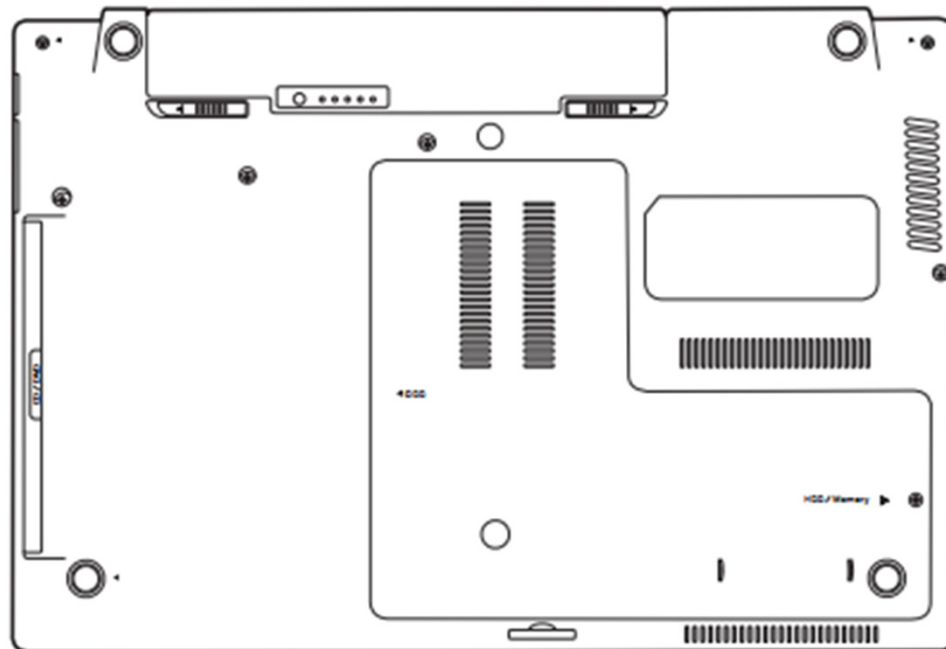


Notebook Installation

Note: The illustrations in this chapter are just an example. Your computer may look slightly different from the illustrations in this chapter. For specific instructions about removing such as a battery, HDD etc., you have to consult your computer manufacturer.

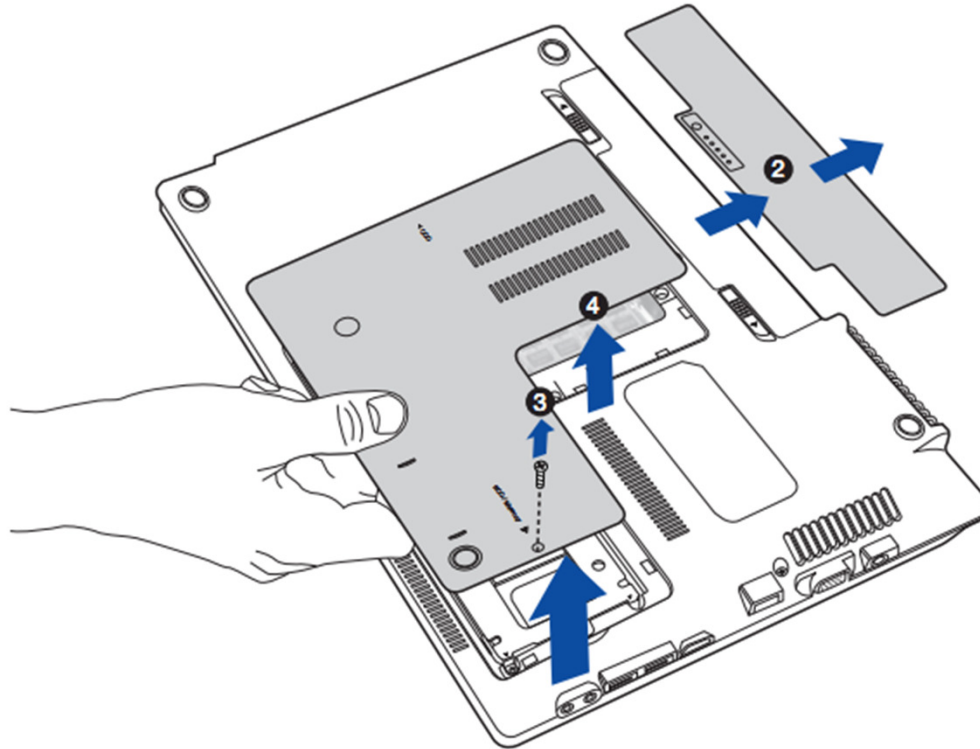
To remove a current drive:

1. Turn the computer upside down on a clear, flat, stable work surface.



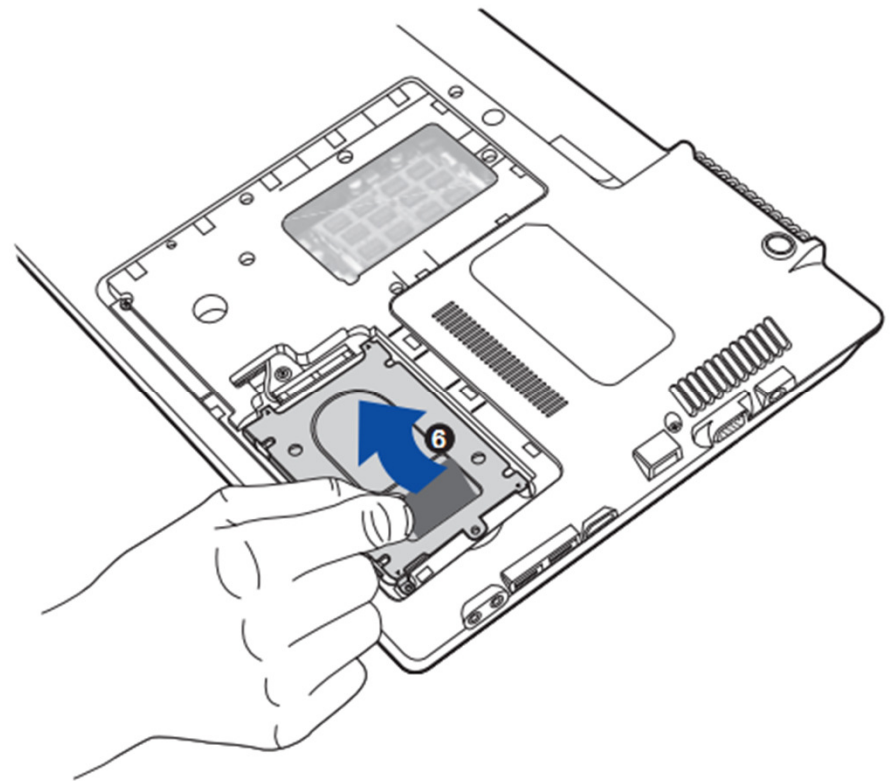
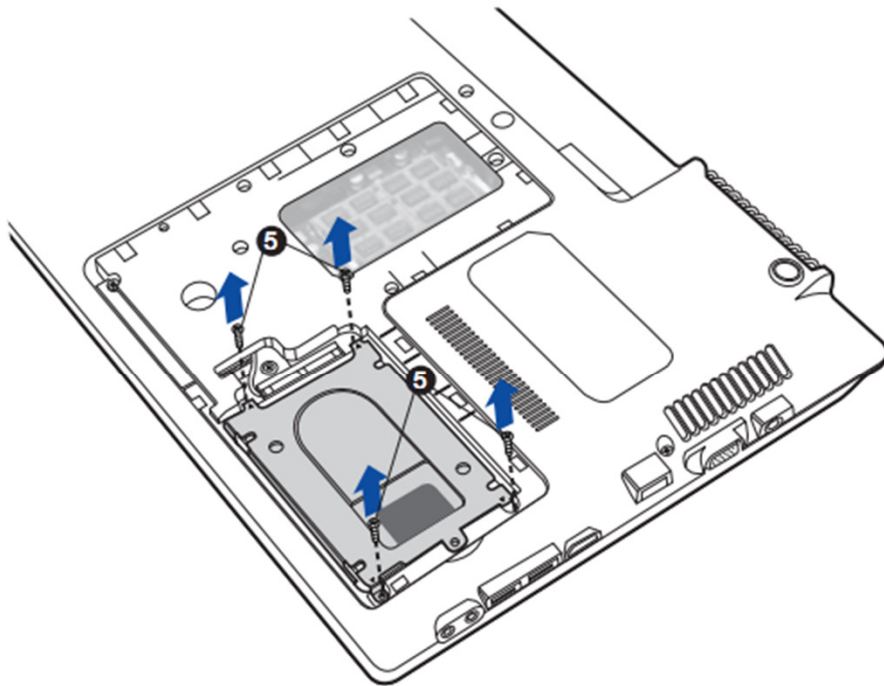


2. Remove the battery from the computer if require (Refer to your computer's user guide for instructions to remove the battery).
3. Find your current drive and remove the screws using a screwdriver on HDD cover from the computer. Store the screws in a container to reassemble.
4. Slide the HDD cover away from the computer to expose the HDD.



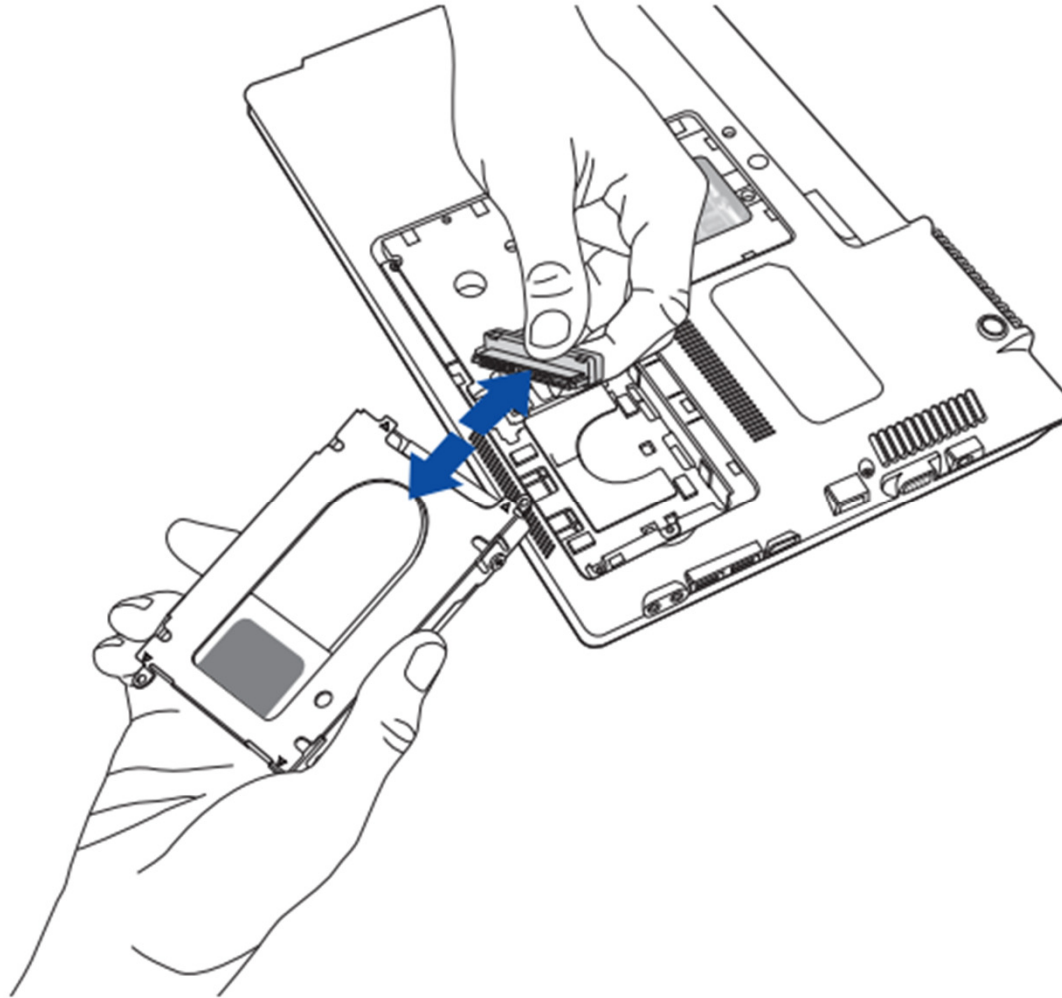


5. Remove the HDD screws holding HDD in HDD bay (Refer to your computer's user guide for instructions to remove the HDD).
6. Pull the hard drive tab to disconnect the HDD.
7. Lift the HDD out of the HDD bay.





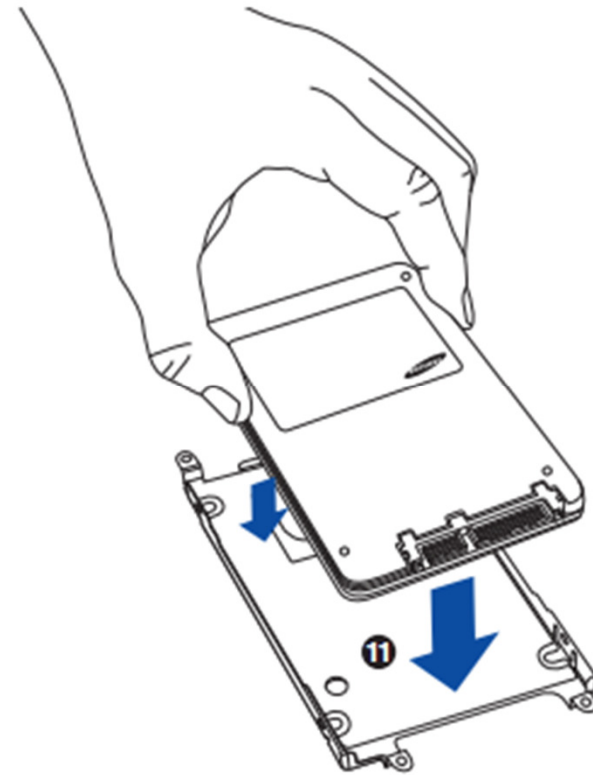
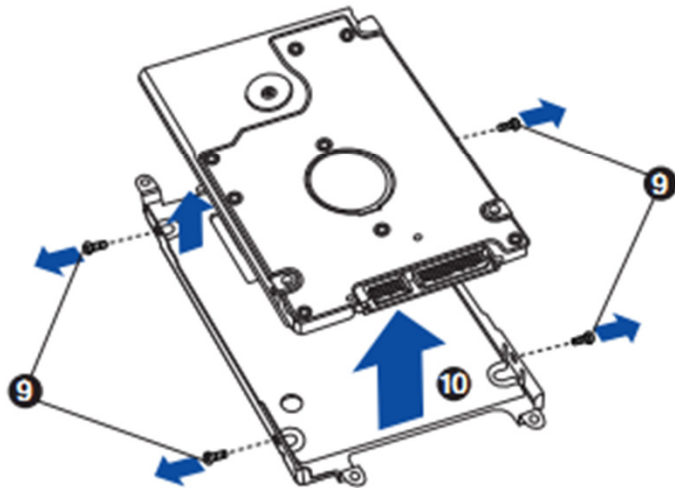
8. Disconnect all cables connected to the HDD.





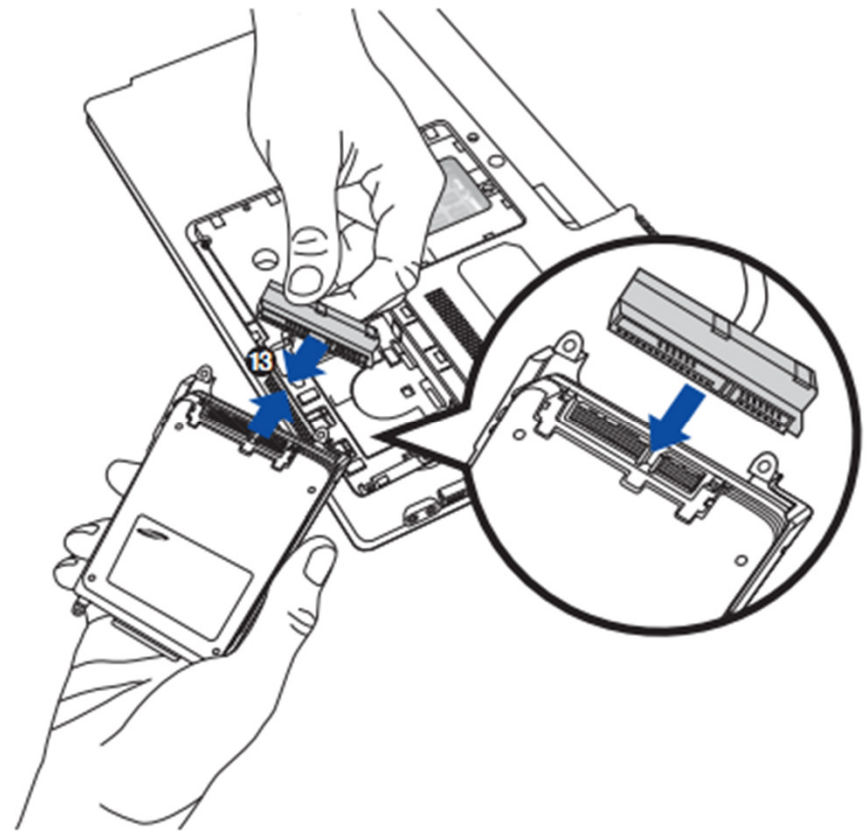
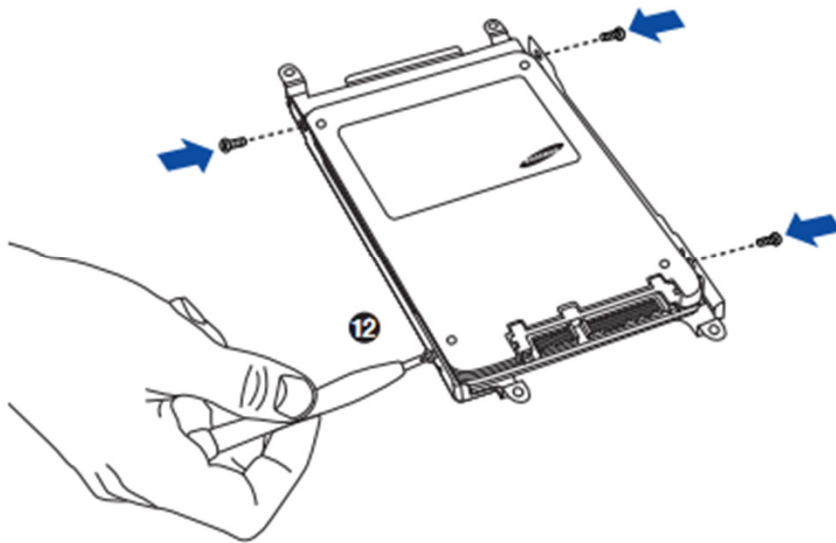
To install new SSD:

9. Detach the screws holding HDD in the spacer brackets or panels.
10. Detach the spacer brackets or panels from HDD.
11. Insert the SSD into the spacer brackets or panels.



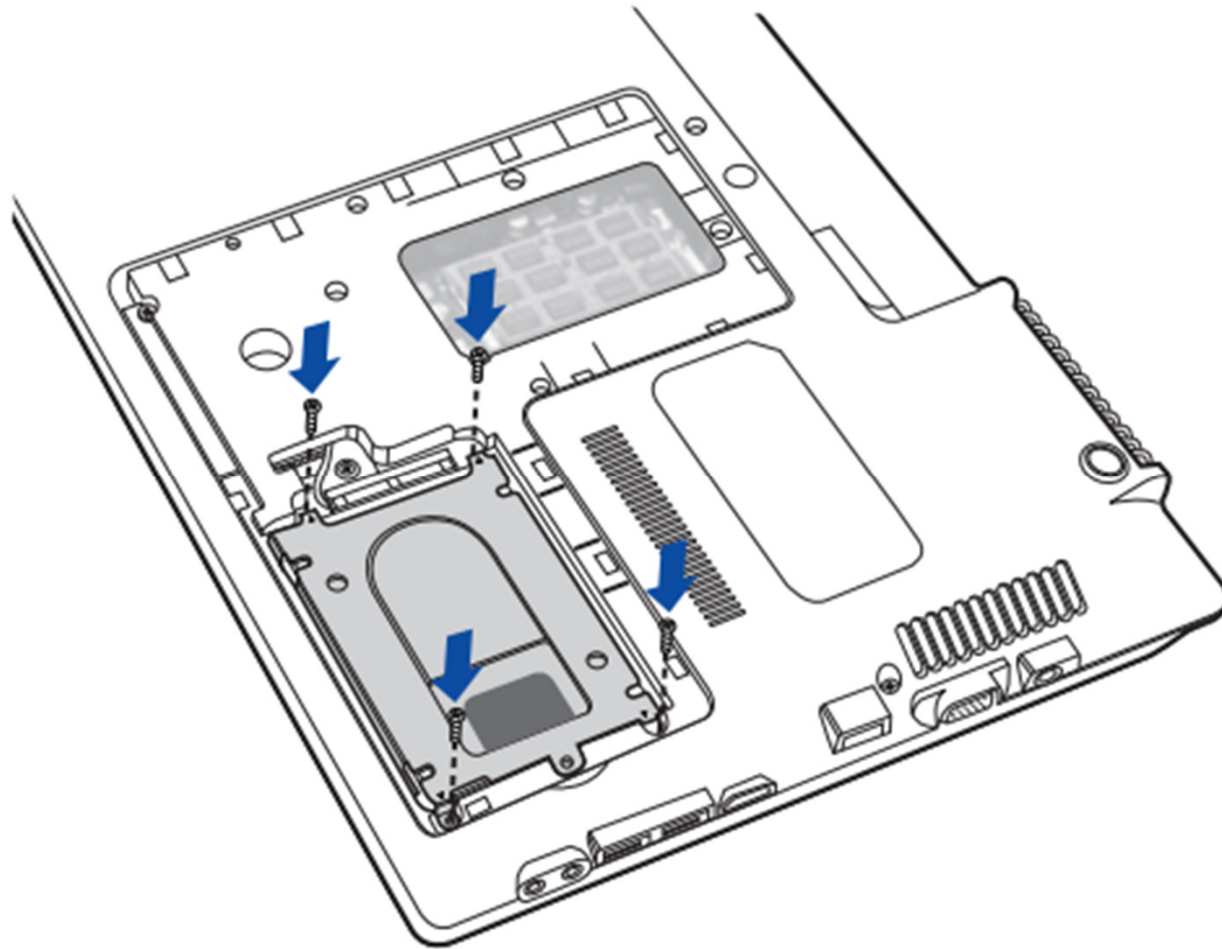


12. Secure the SSD in the spacer brackets or panels with specification screws (M3.0) or the screws from the HDD you are replacing.
13. Connect all cables to the SSD.



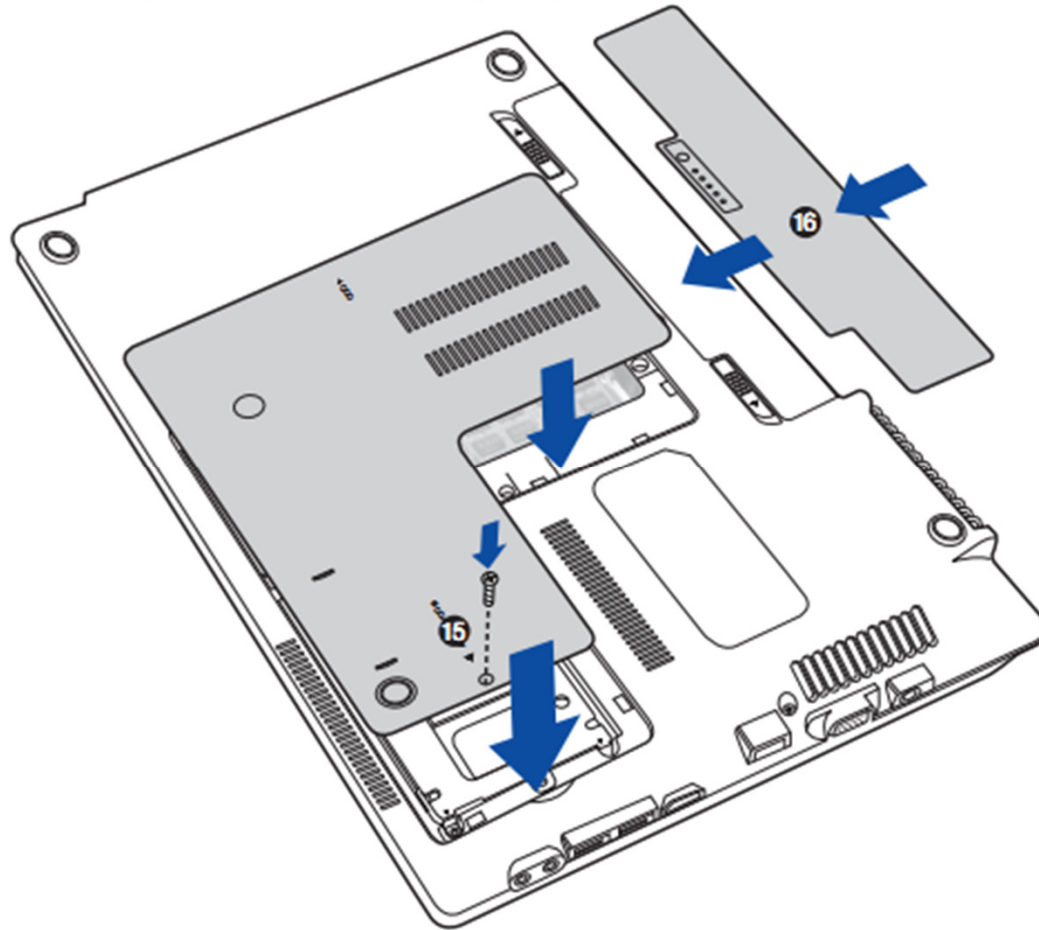


14. Secure the SSD in the HDD bay.





15. Replace the HDD cover and the screws on the bottom of the computer.
16. Insert the battery in to the battery bay until it clicks into place.





Desktop Installation

Note: The illustrations in this chapter are just an example. Your computer may look slightly different from the illustrations in this chapter. For specific instructions about removing such as a battery, HDD etc., you have to consult your computer manufacturer.

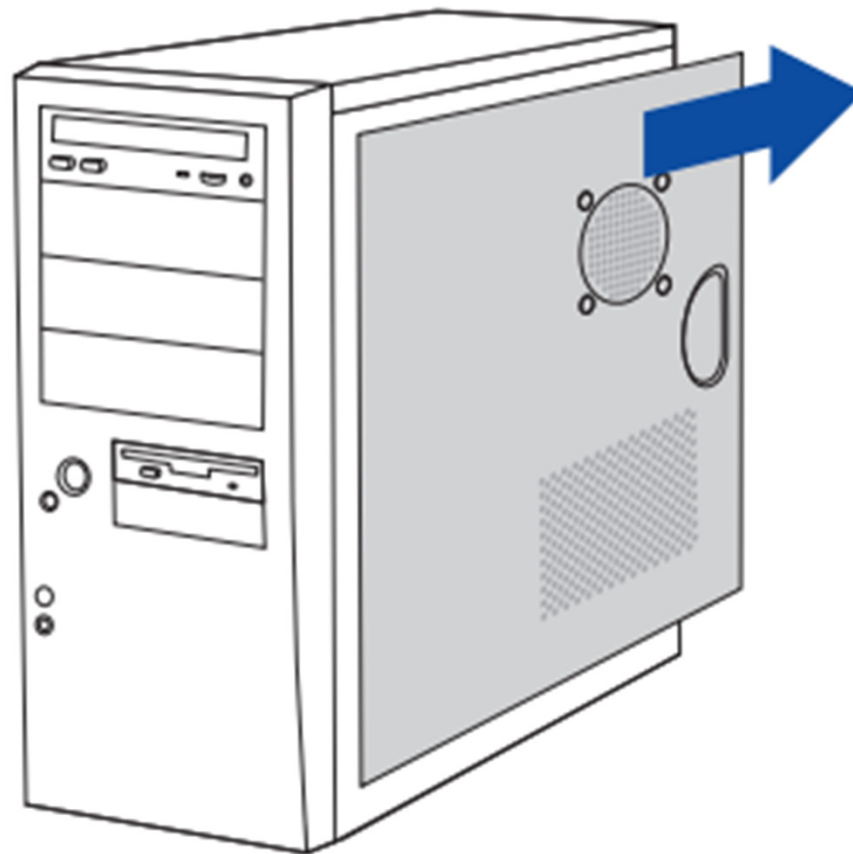
The edges of metal panels can cut skin. Be careful not to slide skin along any interior metal edge of the computer.

1. Attach the 3.5" brackets to the SSD and secure it in place using 4 screws.



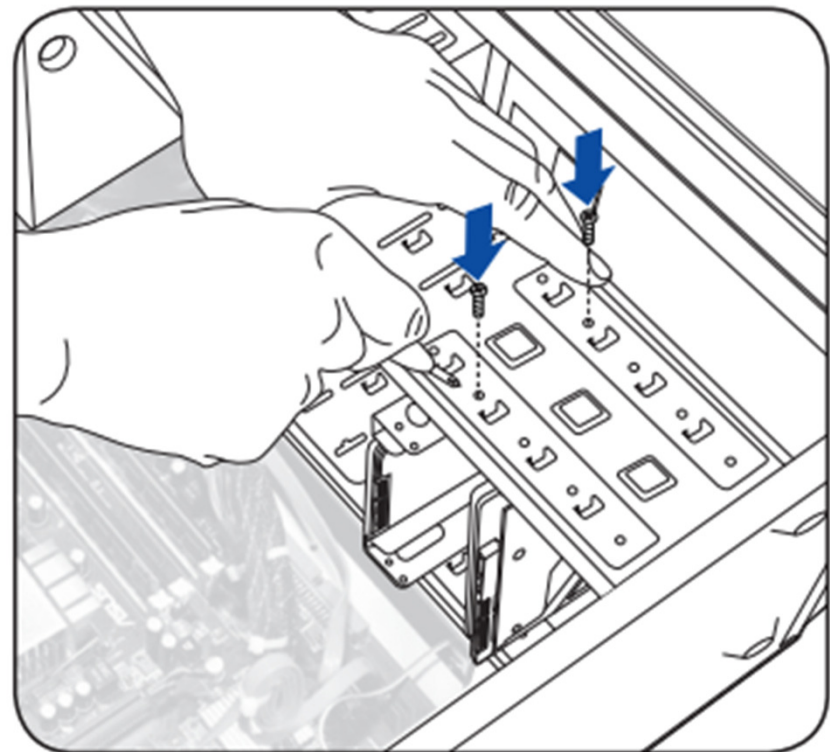
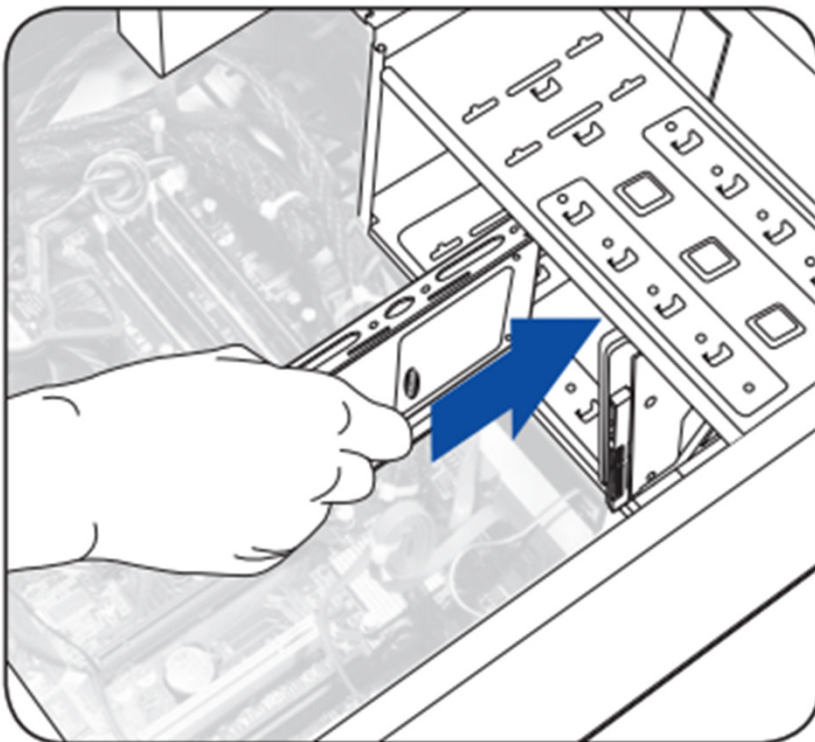


2. Remove the side cover from computer.



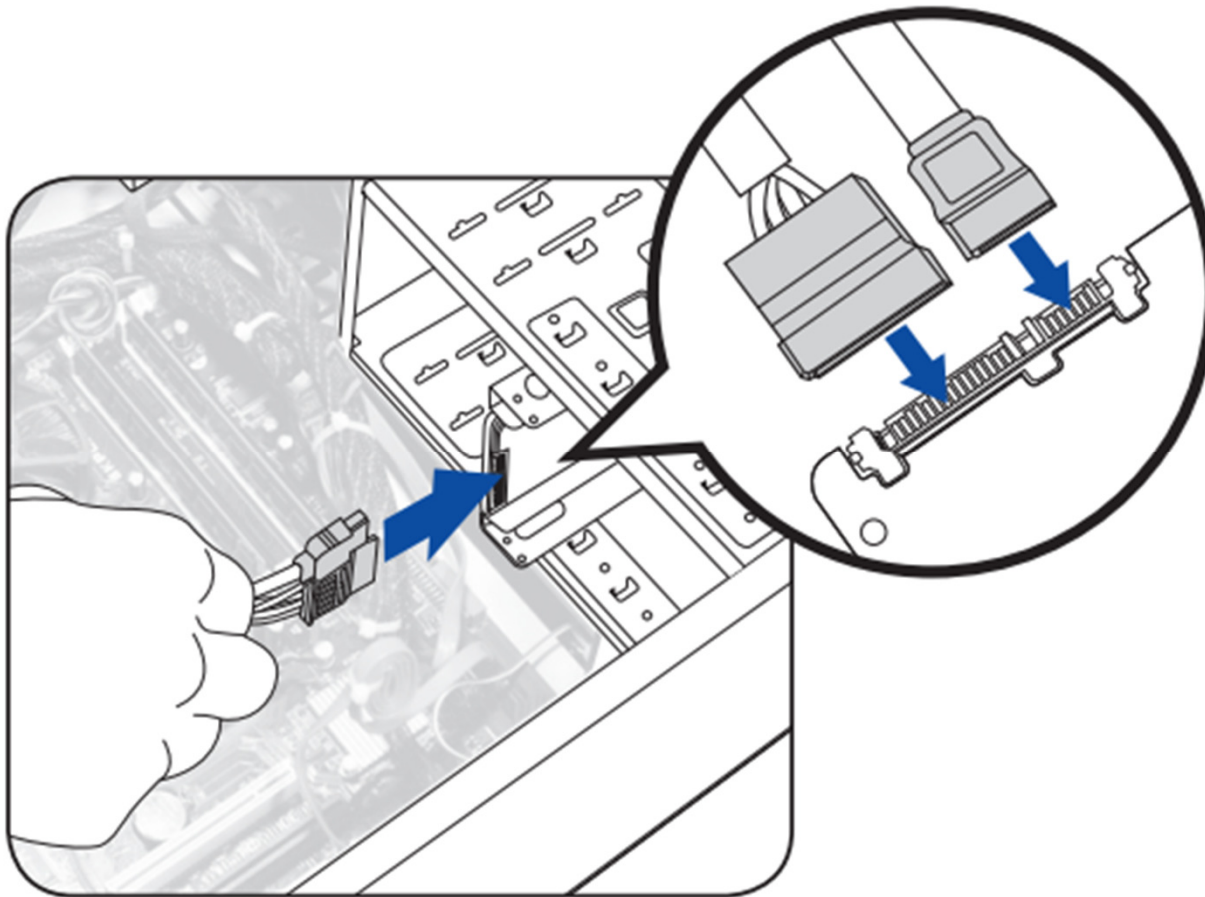


3. Disconnect all cables connected to the HDD.
4. Remove the screws holding HDD in drive bay.
5. Detach the HDD from your computer.
6. Slide the SSD into the drive bay, and tighten the 4 screws that secure the drive in the bay.



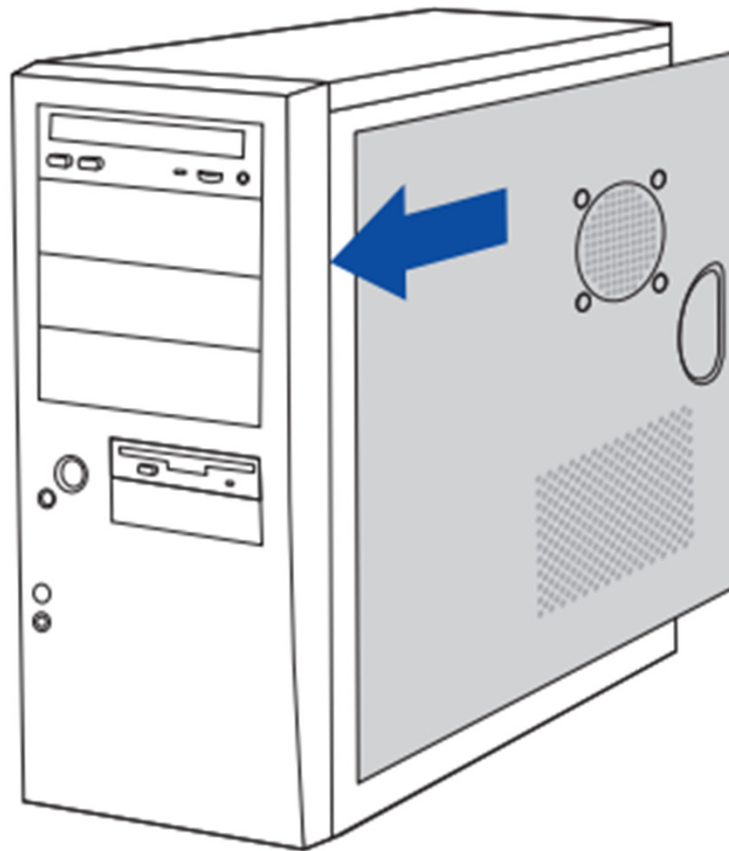


7. Connect the SATA interface cable and the power cable to the back of the SSD by pressing each plug onto the connector.





8. Replace the side cover.





Configure the BIOS

Once close the computer case, restart the system. The computer should automatically recognize the newly-installed SSD. If not, use the following instructions to detect the new drive:

- Restart the computer again. While the system is initializing, run the system set-up program, which can be activated by pressing a special key such as ESC, F1, or DELETE. Check your computer's documentation for the correct key(s).
- While in the system setup program (also known as BIOS), instruct the system to auto detect the new drive.
- Save the settings, and exit BIOS.
- Restart the computer.

When the computer restarts, it should now recognize the new drive. If your computer still does not recognize the drive, please contact Strontium Helpdesk representative for support.



The End